

Installation Drawing on the Left-open Door

### Specification and Function

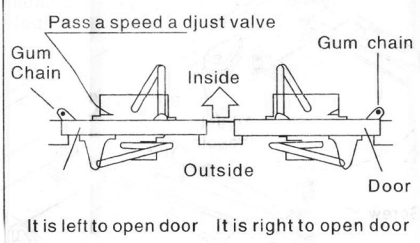
- Applicable Door Width (mm) 700-900mm
- Applicable door weight(kg) 24-45kg
- Adjustable Section of Closing Speed 180°-20°
- Adjustable Section of Latching Speed 20°-0°
- The door closer is suitable for installing in various doors, such as, wooden door, metal door, glass door, etc.
- The installation modes of vertical, parallel and slide-rail type all can be chosen at will.
- The door closer can be chosen to stop or unstop at will.
- Continuous adjustment of closing and latching speed: the fast speed can be adjusted to within 3 seconds from 90 degree, slowness can reach to 60 seconds or more.

### The fixed position type closes door the machine installs the announcements

1. Not to to adjust the gear shaft over 180 degree, otherwise, door closer will be damaged.
2. If regulate the gear by swinging arm to 180 degree, the gear will keep stopping. And then the gear should return to original position immediately in order not to damage door closer in the next time.
3. The door closer has the automatically closing function. Better not to pull door by hand.

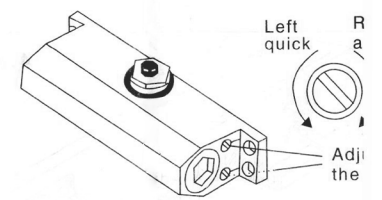
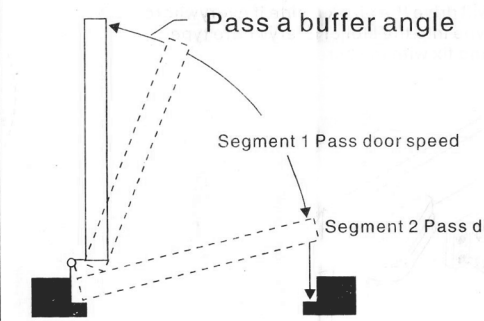
#### The decision opens the direction of the door

This bow machine applies any right open door or left open door, please be instructed to decide according to the next diagram before gearing its open a direction.

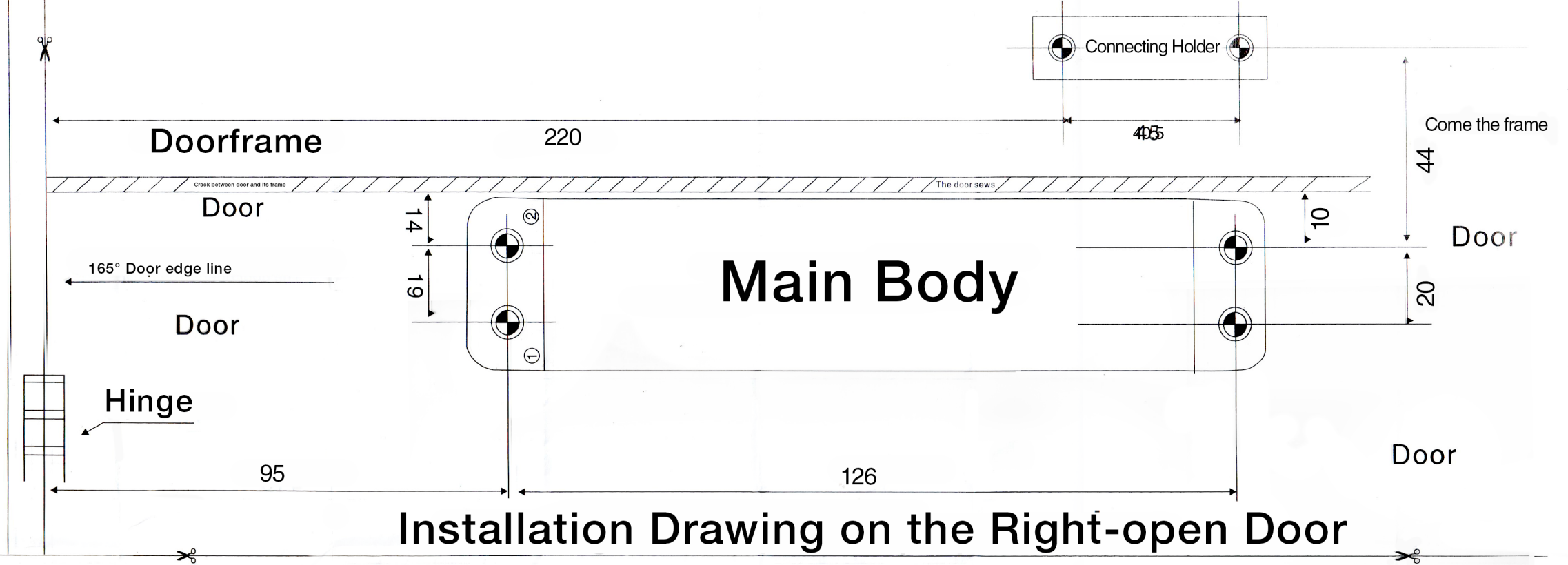


#### Pass a speed adjust valve

The 1s adjust soon screw control a pass a speed. The 2s adjust soon screw control a pass a speed. Its adjustment method is slow for clockwise, hour of The needle direction is then quick.



**Announcements:** Adjust soon the cannot Turn in screw outs the machine flat su close door the machine otherv will leak the oil namely, again positive often work.



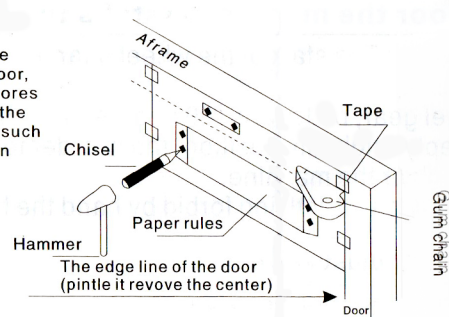
## Installation Drawing on the Right-open Door

### Installation steps diagram

(The top diagram a row arithmetic figure installs the size for the standard, shearing along the line the bottom can immediately make the gearing paper rules)

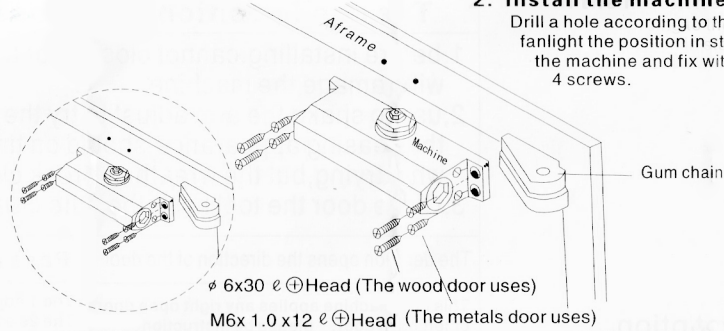
#### 1. take the gearing size

Press according to the way of the designation the paper rules in door and a frames on, and fix with the tape good, and mark out 4 bores on the door, mark out on a frame moreover two bores that link, and the usage drills a hole the machining  $\Phi 5.0$  of bore, metals door such as the usage Hour, must offend again the tooth.



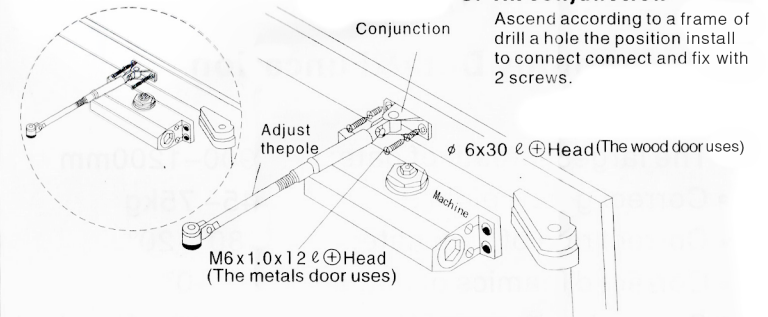
#### 2. Install the machine

Drill a hole according to the fanlight the position in stall the machine and fix with 4 screws.



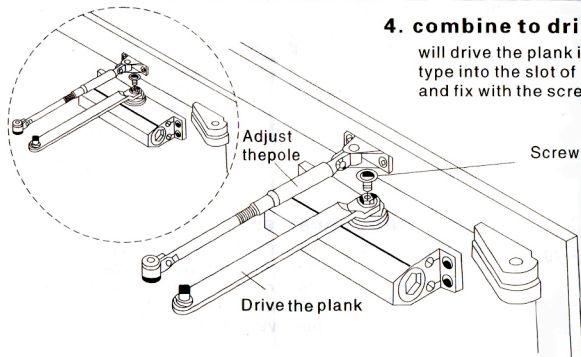
#### 3. fix conjunction

Ascend according to a frame of drill a hole the position install to connect connect and fix with 2 screws.



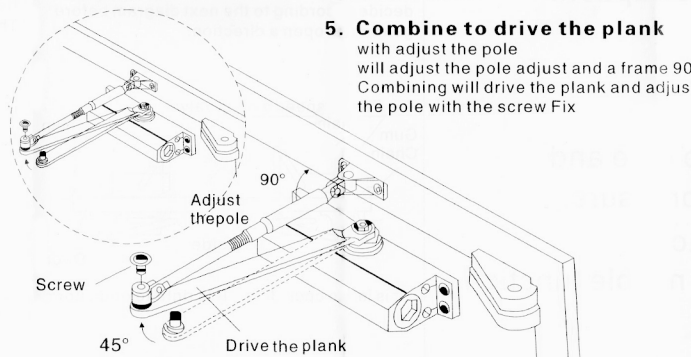
#### 4. combine to drive the plank

will drive the plank inside it everywhere type into the slot of Everywhere type, and fix with the screw



#### 5. Combine to drive the plank

with adjust the pole will adjust the pole adjust and a frame 90° Combining will drive the plank and adjust the pole with the screw Fix



#### 6. complete the comignation

Install to complete, and a cover.

