

# DHI-ARC2016C-V3

## Alarm Controller



### System Overview

Driven by its advanced control technology and powerful data transmission capabilities, this series of alarm controller ensures the reliable, stable running of the entire system. This high security series supports being used locally, without networking, and being networked to form a powerful security monitoring system. When used along with professional alarm platform software, it fully displays its powerful networking and remote monitoring capabilities.

### Scene

It is suitable for security use in scenes, such as schools, shops, factories, financial fields, legal fields and smart communities.

### Technical Specification

#### Input/Output

Alarm Input	16 x channel local inputs (expandable to 80 channels)
-------------	---

Alarm Output	4 x channel local outputs (expandable to 84 channels)
--------------	---

#### Interface

Network Port	2 x RJ-45 10/100 self-adaptive Ethernet ports
--------------	---

Telephone Line	1-ch PSTN
----------------	-----------

Keyboard	32 x LCD keypads
----------	------------------

Remote Control	32 x ARA24-W2
----------------	---------------

Storage Battery	1 x port (battery: 12 VDC/7 Ah)
-----------------	---------------------------------

RS-232	1
--------	---

Indicator Light	3 x function indicators
-----------------	-------------------------

Button	1 x forced start button; 1 x default jumper; 1 x factory default jumper
--------	---

- 16-channel local alarm input (expandable to 80 channels); supports NO/NC detector, detector tamper, short circuit and mask alarm.
- 4 channel alarm outputs (expandable to 84 channels), along with forced start/shutdown, auto control, and alarm linkage.
- Multiple zone types, such as instant zone, delayed zone, and 24-hour silent zone.
- Alarm input/output port circuit protection.
- Supports fault alarms, including controller tamper alarm, keypad tamper alarm, power failure alarm, battery failure alarm, battery undervoltage alarm, PSTN offline alarm, network disconnection alarm, IP conflict alarm, and MAC conflict alarm.
- 2-channel RS-485 ports; up to 32-channel keypads; printer connection.
- Emergency alarms, such as fire, medical and duress alarm.
- CID (Contact ID Protocol); reuses landline telephone port (personal call requires customized PSTN hardware module).
- Configuration method includes keypad and web; quick configuration guide; remote configuration and search.
- Up to 8 subsystems; single zone and subsystem arming/disarming; arming/disarming with keypad, keyfob, IC card and other methods.
- Supports 3 alarm receiving center at the same time, supports 3 different alarm reporting strategies.
- High-volume log search function.
- Remote update.
- Multiple device recovery methods.
- Two Ethernet ports and two wired alarm centers.

RS-485	2 (keypad, expansion module, and printer)
--------	---

Buzzer	1
--------	---

#### Function

Tamper Alarm	Controller tamper; housing tamper
--------------	-----------------------------------

Auxiliary Power Output	1 x 12 VDC, 1 A
------------------------	-----------------

Network Protocol	TCP/IP, DHCP, static IP
------------------	-------------------------

Remote Update	Yes
---------------	-----

Arm and Disarm	Keypad; keyfob; IC card; web; platform
----------------	--

Log	20,000
-----	--------

Power Failure Protection for Configured Parameters	Yes
--	-----

Search Remote Alarm Event	Yes
---------------------------	-----

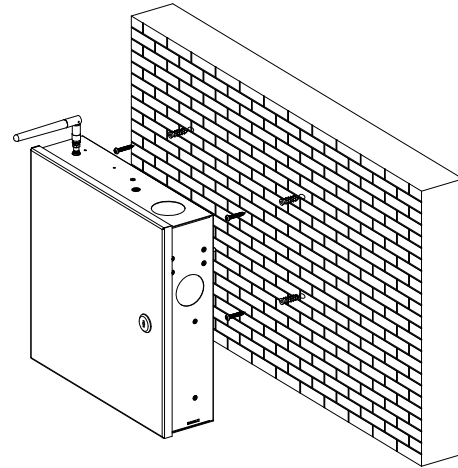
User Management	64 network users and 200 keypad users
-----------------	---------------------------------------

Access Configuration	Keypad; web
----------------------	-------------

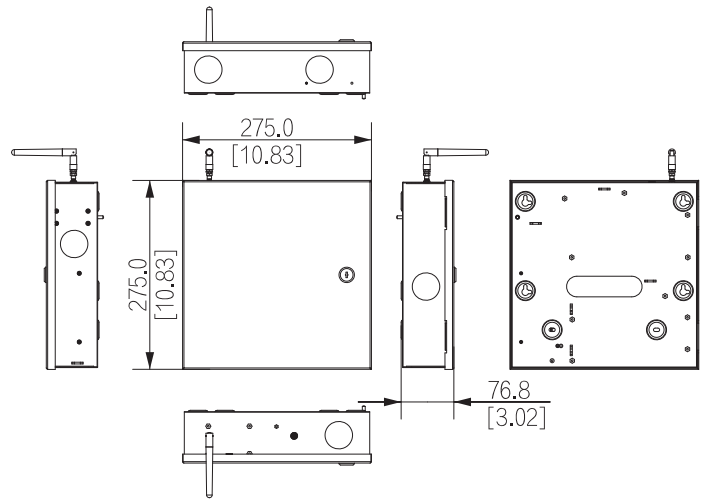
# ARC2 Series | DHI-ARC2016C-V3

Search	Configurations; system logs; zone faults; system faults; program versions
Language	English, Russian, Latin American Spanish, and Arabic
<b>General</b>	
Power Supply	100–240 VAC, 50/60 Hz
Power Consumption	Idling: 5 W Full load: 60 W
Operating Environment	–10 °C to +55 °C (+14 °F to +131 °F) 10%–90% (RH)
Product Dimensions	275 mm × 74.8 mm × 275 mm (10.83" × 2.94" × 10.83") (L × W × H)
Packaging Dimensions	375 mm × 155 mm × 312 mm (14.76" × 6.10" × 12.28") (L × W × H)
Installation	Wall mount
Net Weight	2.1 kg (4.63 lb)
Gross Weight	2.5 kg (5.51 lb)
Certifications	FCC; CE

## Installation



## Dimensions (mm [inch])



## Dimensions (mm [inch])

