

DHI-ARD2112C

Ceiling Dual-Tech Detector



- Resists white light of up to 6,500 lux.
- Two-way digital temperature compensation.
- Features AI and dynamic threshold technology.
- Resistant to EMI and RFI interference.

System Overview

This device uses passive infrared and microwave detection technology to eliminate interference from changes in temperature and lighting, ensuring the accuracy of human motion detection.

Scene

Used in entrances and exits, such as doors, windows, balconies and elevators to protect against intrusions.

Technical Specification

Port

Alarm Output	1 × alarm output, NC/NO, 28 VDC, Max. 100 mA 1 × case tamper output, NC, 28 VDC, Max. 100 mA
--------------	---

Function

Indicator Light	Red, green and yellow indicator
-----------------	---------------------------------

Technical

Sensor	Dual-element low-noise pyroelectric infrared sensor and microwave sensor
Detection Mode	Passive Infrared Detection (PIR) and microwave
Sensitivity	Adjustable sensitivity
Detection Range	Distance: Φ 7 m (22.97 ft) when installed 2.5 m (8.20 ft) above the floor, Φ 12 m (39.37 ft) when installed 3.6 m (11.81 ft) above the floor and Φ 13 m (42.65 ft) when installed 4.5 m (14.76 ft) above the floor Angle: 360°
Detection Speed	0.3 m/s–3 m/s (0.98 ft/s–9.84 ft/s)
Microwave Frequency	10.53 GHz
White Light Resistance Level	6,500 lux

Two-way Digital Temperature Compensation	Yes
Operating Current	≤60 mA (12 VDC)
Alarm Current	≤50 mA

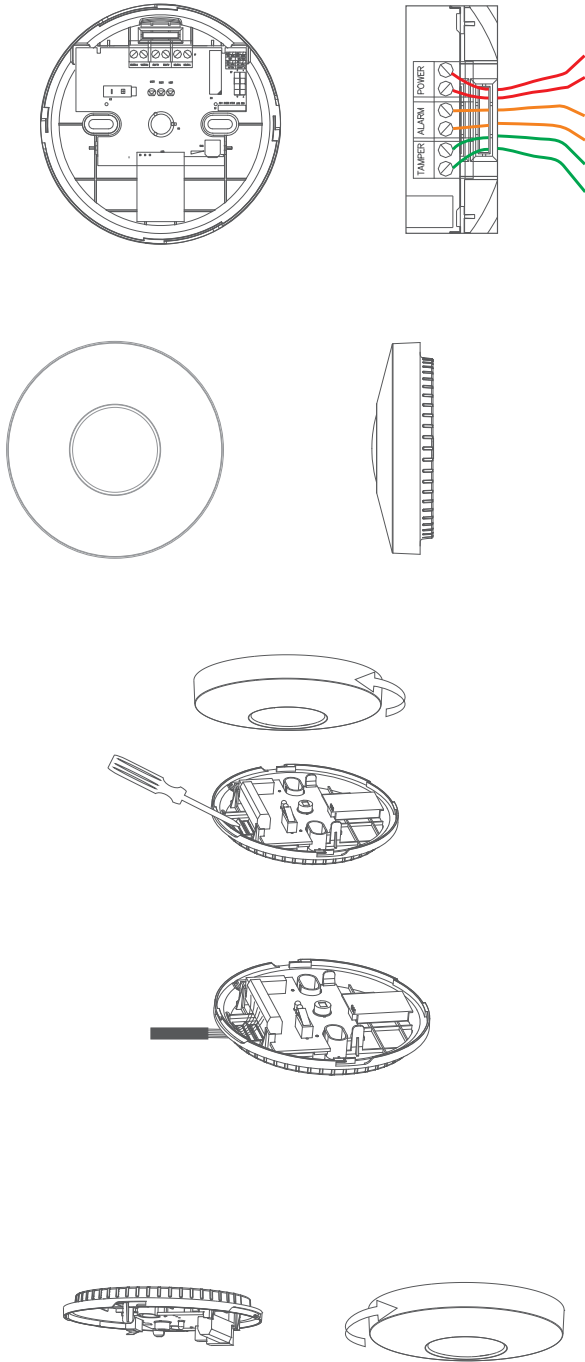
General

Power Supply	9–16 VDC
Power Consumption	0.8 W (Max.)
Operating Temperature	–10 °C to +55 °C (+14 °F to +131 °F)
Operating Humidity	≤95% (RH)
Product Dimensions	33.5 mm × Φ 114.0 mm (1.32" × Φ 4.49")
Net Weight	96.3 g (0.21 lb)
Gross Weight	133.3 g (0.29 lb)
Installation	Ceiling mount at a height of 2.5 m–4.5 m (8.20 ft–14.76 ft)
Casing Material	ABS and PE
Appearance Color	White
Certifications	CE
Anti-corrosion Level	Basic Protection
Storage Temperature	–10 °C to +55 °C (+14 °F to +131 °F)
Storage Humidity	≤95% (RH)
Packaging Dimensions	50.0 mm × 142.0 mm × 140.0 mm (1.97" × 5.59" × 5.51") (L × W × H)

Ordering Information

Type	Model	Description
Dual-tech Detector	DHI-ARD2112C	Ceiling Dual-Tech Detector

Installation



Dimensions (mm[inch])

