

Twin-Beam Infrared Photobeam Sensor



LK-10HD (10m)



LK-12HD
(12m, Alignment angle $\pm 15^\circ$)



Reflector-Beam Infrared Photobeam Sensor



LK-5HR (5m)



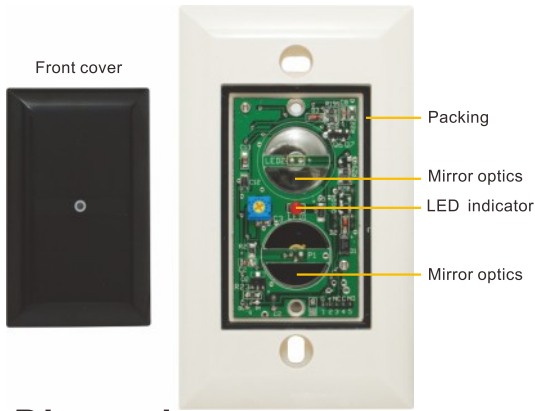
LK-7HR
(7m, Alignment angle $\pm 15^\circ$)



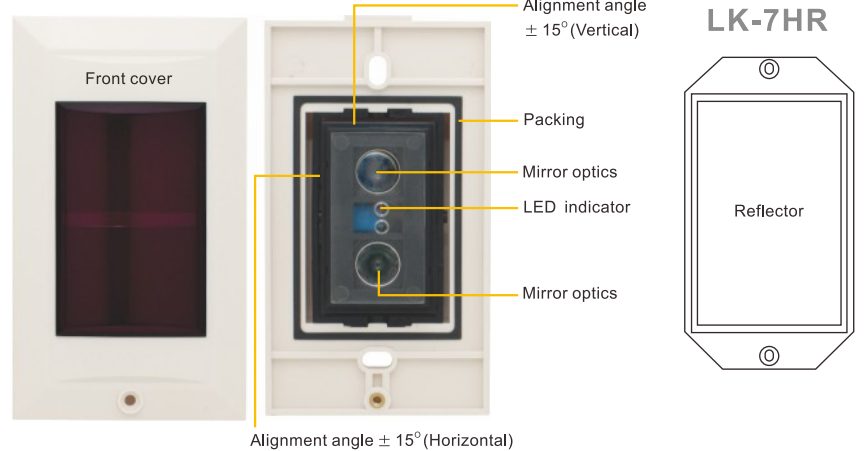
- Protection range: 12m(Twin-beam LK-12HD), 7m(Reflector-beam LK-7HR)
- Protection range: 10m(Twin-beam LK-10HD), 5m(Reflector-beam LK-5HR)
- All models mount with a standard signal gang electric box.
- Excellent external light immunity.
- LED alignment indicator-visibly confirms proper alignment.
- Beam protection for entrances, exits, corridors and staircases.

Parts Identification:

LK-10HD, LK-5HR

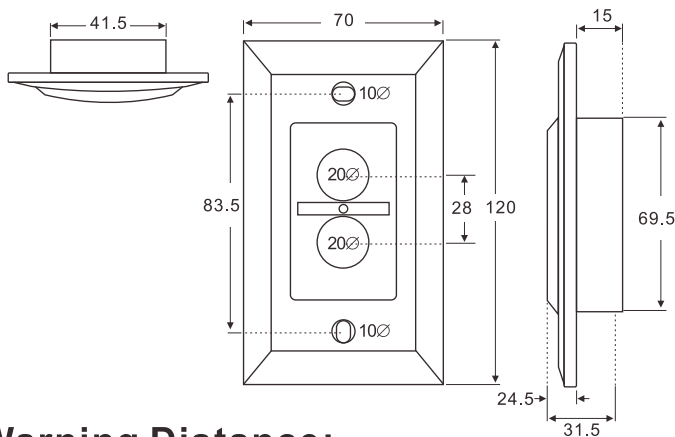


LK-12HD, LK-7HR

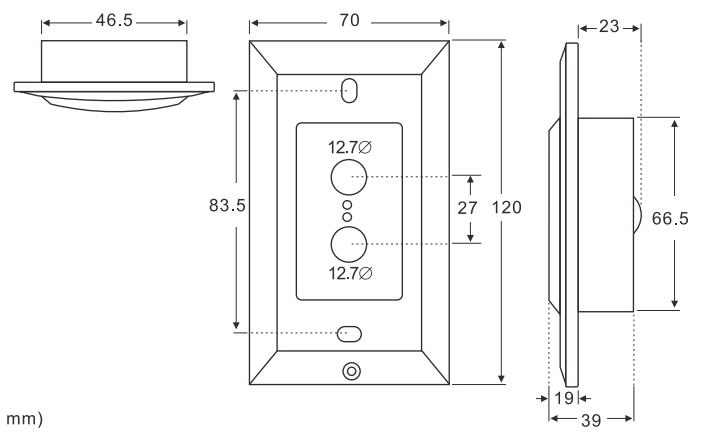


Dimension:

LK-10HD, LK-5HR



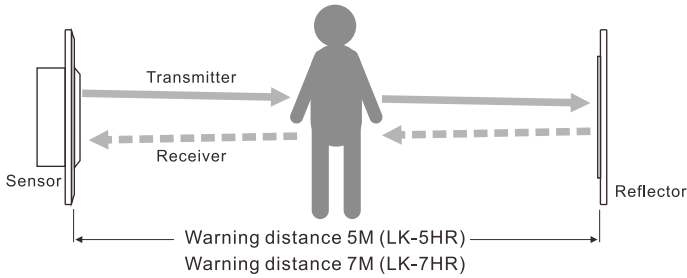
LK-12HD, LK-7HR



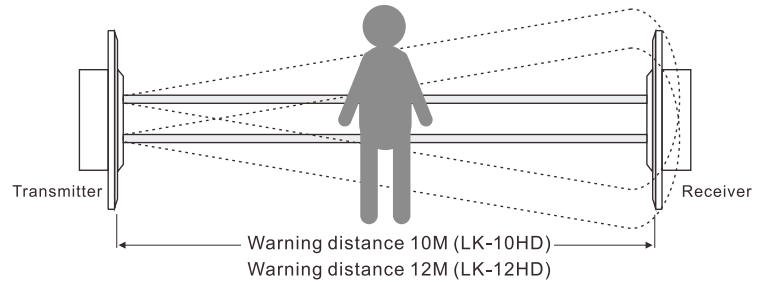
(Unit: mm)

Warning Distance:

LK-5HR, LK-7HR(Reflector-Beam)



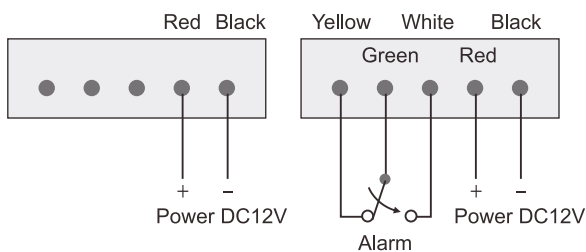
LK-10HD, LK-12HD(Twin-Beam)



Wiring Configuration:

LK-10HD Transmitter
LK-12HD Transmitter

LK-10HD Receiver
LK-12HD Receiver
LK-5HR
LK-7HR



Specification:

Model	LK-10HD	LK-12HD	LK-5HR	LK-7HR
Alarm distance	10m	12m	5m	7m
Detection method	Infrared photoelectric			
Infrared beam	500Hz	500Hz	500Hz	7.6KHz
Response time	100m sec	50m sec	100m sec	50m sec
supply voltage	DC11~20V	DC11~18V	DC11~20V	DC11~18V
Power consumption	40mA	45mA	30mA	55mA
Alignment angle	-	Vertical ±15° Horizontal ±15°	-	Vertical ±15° Horizontal ±15°
Alarm signal	Non-voltage contact 1a, 1b(24VDC/1A)			
Operating temperature	-20 ~ +55°C			
LED indicator	Receiver red LED on in alarm condition		Red LED on in alarm condition	
Connection	Lead wire			