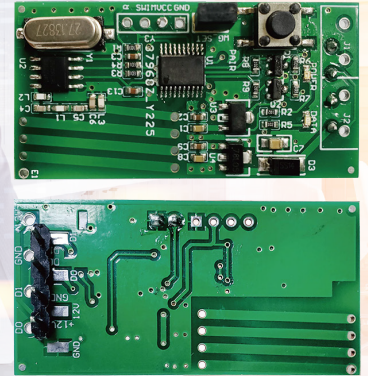


WRF100

433 MHz Wireless & Wiegand Reader



Overview

This product consists of two parts: Wireless reader and data receiving module which are using 433MHz frequency for data transmission. The reader can read 13.56MHz Mifare card's UID then send the data by 433MHz to the receiving module and finally send it to the terminal via Wiegand interface. The wireless communication is under high-security data encryption.

Configuration of this product is simple, you just need to connect the receiving module to the terminal's Wiegand interface. The receiver's Wiegand interface has 4-Pin: +12, GND, W0, W, any terminal with Wiegand interface can use this product.

Features



433MHz communication



Wiegand interface to terminal



Wiegand 26/34bits



Operating voltage: WRF100 (4.5V); Receiver (DC 12V)



Ultra low power consumption



Support 13.56MHz Mifare Card



Distance up to 30m

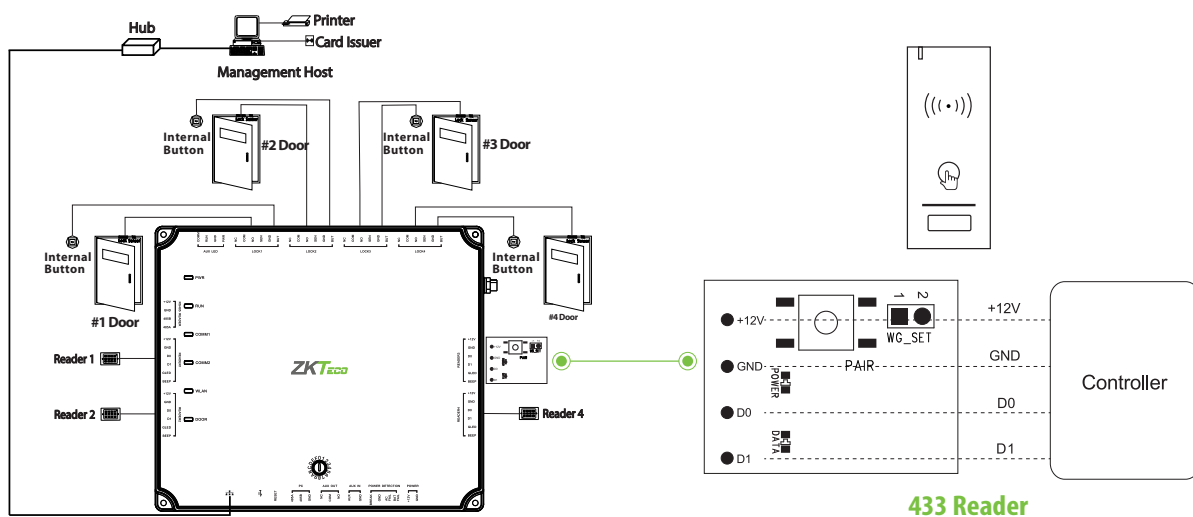


Operating Temperature: -20°C ~ 60°C

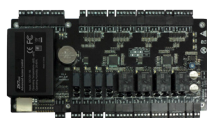
Specifications

Model	WRF100 Wireless Reader	Receiving Module
Operating Voltage	4.5V	DC 12V
Operating Current	≤15mA	
Card Type	13.56MHz IC Card	
Reading Distance	≤2.5cm	
Communication Frequency	433MHz	
Emission Distance	≤30 meters (straight line without blockage)	
Operating Temperature	-20 °C ~ +60 °C	
Operating Humidity	0% ~ 86%	
Size	120*50*20mm	25*50mm
Weight	88g	10g

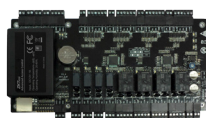
Configuration



Support Devices



C3



C3 Pro



inBio



inBio Pro



C5S Pro



inBio5S Pro

