

24 Ports Full Gigabit Managed Ethernet Switch

Full-Gigabit, 6KV Lightning Protection

Datasheet : VER1.0

UTP7524GE-4GF



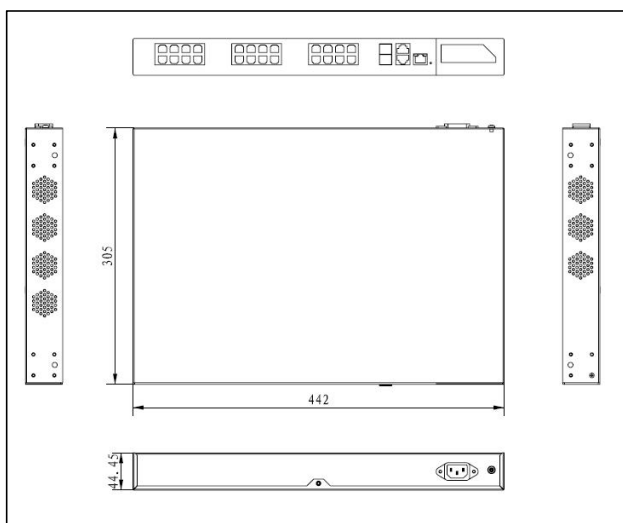
- provide 24* Gigabit downlink Ethernet ports , 4* Gigabit uplink optical fiber ports;
- Provide web-based layer 2 network management by simple operation;
- Support high-speed data forwarding, very suitable for large flow of video data forwarding in security surveillance ;
- Support recovery of IP address & user password by one key recovery button ;
- Quick Installation, simple operation, convenient for wall/desk/rack installation.



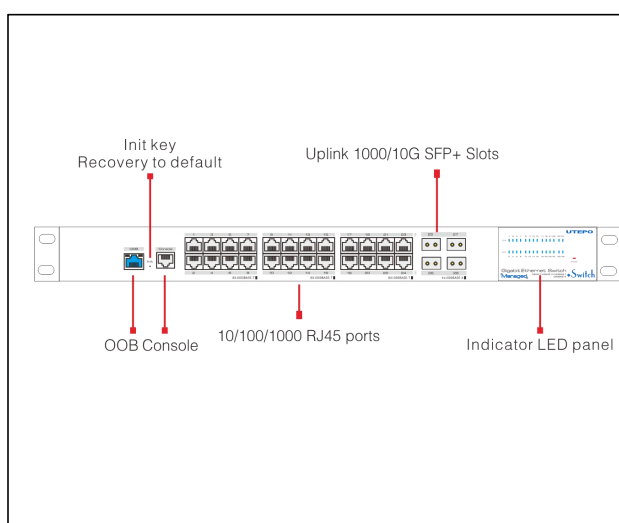
Introduction

The 24 ports full Gigabit managed Ethernet switch, which provide 24* Gigabit downlink Ethernet ports , 4* Gigabit uplink optical fiber ports. The Products support Web layer-2 network management and Products are widely used in security surveillance, network engineering projects and so on.

Physical Features



Interface drawing



Specification

Hardware Features :

ITEM	UTP7524GE-4GF
Downstream Ports	24* 10/100/1000Base-T RJ45
Uplink Ports	4*1000Base-X SFP slot
Network Standard	IEEE802.3、IEEE802.3u、IEEE802.3ab、IEEE802.3Z、IEEE802.3X、IEEE 802.1Q IEEE 802.1p IEEE 802.3ad、IEEE 802.1D、IEEE 802.1X
Switch Fabric	56Gbps
Throughput	41.66Mpps
Switch Architecture	Store and Forward
Memory Buffer	12M
MAC Table	16K
Surge protection	6KV Execute : IEC61000-4-5
ESD	6KV Contact discharge 8KV Air discharge Execute : IEC61000-4-2
Power Supply	100~240V AC; 50/60Hz
Work temperature	-10-50°C
Storage temperature	-40-85°C
Humidity(Non-condensin)	0%-95%
Dimension (L×W×H)	442mm×305mm×44mm
Weight	4.35kg
Regulator	CE、FCC、ROHS

Software Features :

Port Management	Support port enabling and disabling
	Support port speed settings
	Support port full-duplex mode
	Support IEEE802.3x flow control
	Support port name modification
VLAN	Support of 4K VLAN
	supports 802.1Q VLAN protocol
	Support VLAN based on port

Quality of Service	Support QoS Congestion Management
	Support 8 priority queues
	Queue scheduling: SP, WRR, SP+WRR
	Support 802.1p CoS/DSCP priority
Multicast Management	Support SNMPV1 / V2 / V3 protocols
	Support IGMP Snooping
Security Features	Supports IP, MAC, port, VLAN binding combinations
	Support MAC address auto-learning, aging and filtration
	Support port isolation, port speed limit
	Support RSTP
	Support 5 groups of link aggregation
	Support 802.1X
System Management	Web-based GUI and CLI management
	Support FTP / TFTP / HTTP load upgrade
	Support traffic statistics
	Support MAC address table query
	Support IP address, DNS server modifications
	Support user name and password modification
	Support for history, log management
	Support System Configuration Backup
	Support to recover the default factory settings on reboot

Package List

Designation	Quantity
UTP7524GE-4GF	1
AC Power Line	1
Mounting brackets	1
User Manual	1

Related Products

Designation	Model
16 Ports PoE Full Gigabit Managed Ethernet Switch	UTP7516GE-POE-4GF
24 Ports PoE Full Gigabit Managed Ethernet Switch	UTP7524GE-POE-4GF